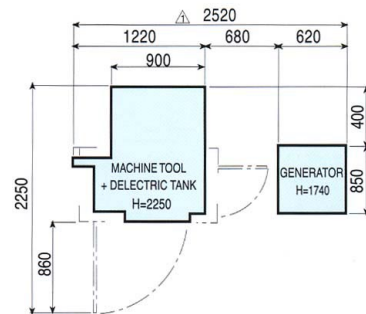
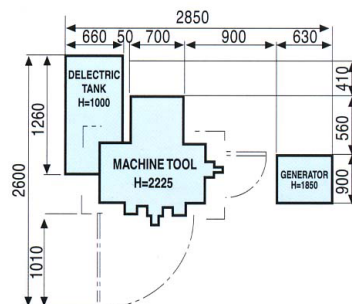


ELECTRIC DISCHARGE MACHINE

CM323Z+50EZ



CM434Z+50EZ



SPECIFICATIONS

MACHINE		CM- 323Z	CM- 434Z	CM- 545Z	CM- 655Z
Table size (W X D)	mm / inch	500x 350/ 19.7x 13.8	650 x 400/ 25.6x 13.8	800x 500/ 31.5 x 19.5	1000x 600/ 39.4x 23.6
Table travel (X, Y)	mm / inch	300x 200/ 11.8x 7.9	400x 300/ 15.7x 11.8	500x 400/ 19.7x 15.7	600x 500/ 23.6x 19.7
Work tank size (W X D X H)	mm / inch	820x 500 x 300/ 32.2x 19.7x 11.8	1050x 600x 300/ 41.3x 23.6x 11.8	1250x 700x 500/ 49.2x 27.6x 19.7	1500x 800x 500/ 59x 31.5x 19.7
Ram travel(Z)	mm / inch	300/ 11.8	350/ 13.8	500/ 19.7	500/ 19.7
Distance from RAM platen to work table	mm / inch	250-550/ 9.84-21.6	250-600/ 9.8-23.6	200-700/ 7.9-27.6	250-750/ 9.8-29.5
Max. electrode weight	kg	60/ 132	100/ 220	300/ 660	300/ 660
Max. workpiece weight	kg	500/ 1100	1000/ 2200	1500/ 3300	3000/ 6600
Outside dimensions (W X D X H)	mm / inch	1300x 1300x 2150/ 51.2x 53.9x 84.6	1400x 1340x 2190 / 55x 52.7x 86.2	1600x 1600x 2570/ 63x 63x 101.1	1860x 1700x 2750/ 73.2x 66.9x 108.3
Weight (kg)		1000	1400	3200	3500
For Dielectric		D220	D235	D240	D645

DIELECTRIC		D220	D235	D240	D655
Volume	L	280	390	600	1300
Filter	method	Paper filter	Paper filter	Paper filter	Paper filter
Power	HP	0.5x 1	0.5x 1	0.5 x 2	0.5 x 2
Weight	kg/ lb	built in	80	110	160
Outside Dimensions (W X D X H)	mm	built in	1400x 700x 500	1200x 600x 500 +1200x 600x 500	2200x 800x 520 +1600x 800x 520

POWER SUPPLY UNIT		50EZ	75EZ	50B Booster	75B Booster
Max. machining current	A	50	75	50	75
Max. power input	KVA	4	5	4	5
Max. machining speed	mm ² / min	350	550	350	550
Electrode wear rate	%	0.2	0.2	*	*
Best surface roughness	μm / Ra	0.45/ 0.2(microfinish)	0.45/ 0.2(microfinish)	*	*
Outside dimensions (W X D X H)	mm	550x 970x 1860	550 x 570x1860	450 x 470 x 1650	450 x 470 x 1650
Weight	kg	200	240	200	240

SPECIFICATIONS

MACHINE BODY		CM- 855Z	CM-1065Z	CM-1265Z
Table size (W X D)	mm / inch	1000x 600/ 39.4x 23.6	1200 x 800/ 47.2x 31.5	1500 x 800/ 59.1x 31.5
Work tank size (W X D X H)	mm / inch	1600x 1000x 550/ 63x 39x 21.7	2100 x 1200x 600/ 82.7x 47.2x 23.6	2500x 1350x 700/ 98.4x 53.1x 27.5
Table travel (X, Y)	mm / inch	800 x 500 / 31.5x 19.7	1000x 600/ 39.4x 23.6	1200x 600/ 47.2x 23.6
Ram travel(Z)	mm / inch	500/ 19.7	500/ 19.7	500/ 19.7
Distance from RAM platen to work table	mm / inch	300-800/ 11.8-31.5	450-950/ 17.7-37.4	500-1000/ 19.7-39.4
Max. electrode weight	kg	350/ 770	350/ 770	500/ 1100
Max. workpiece weight	kg	4000/ 8800	5000/ 11000	7500/ 16500
Outside dimensions (W X D X H)	mm / inch	1800x 2400x 2800/ 70.8x 94.4x 110.2	2500x 2900x 3150/ 98.4x 114.1x 124	2700x 3000x 3200/ 106.2x 118.1x 125.9
Weight (kg)		4500/ 9900	6500/ 14300	8500 / 18700
For Dielectric		D855	D1065	D1265

DIELECTRIC		D655	D855	D1065	D1265
Volume	L	1300	1600	2100	3500
Filter	method	Paper filter	Paper filter	Paper filter	Paper filter
Power	HP	0.5x 2	0.5x 1 1x 1	0.5 x 1 1x 1	0.5 x 2 1 x 1
Weight	kg/ lb	160	250/ 550	350/ 770	450/ 990
Outside Dimensions (W X D X H)	mm	2200x 800x 520 +1600x 800x 520	2500x 1000x 480 +1200x 600x 480 +1200x 600x 480	3000x 1000 x 480 +1450 x 500 x 480 +1450 x 500 x 480	3000x 1500 x 580 +1800 x 630 x 580 +1800 x 630 x 580